

Hinges without safety switch

Stainless Steel

SPECIFICATION

Stainless Steel precision casting

- AISI 316L
- polished, Ra < 0.8 µm

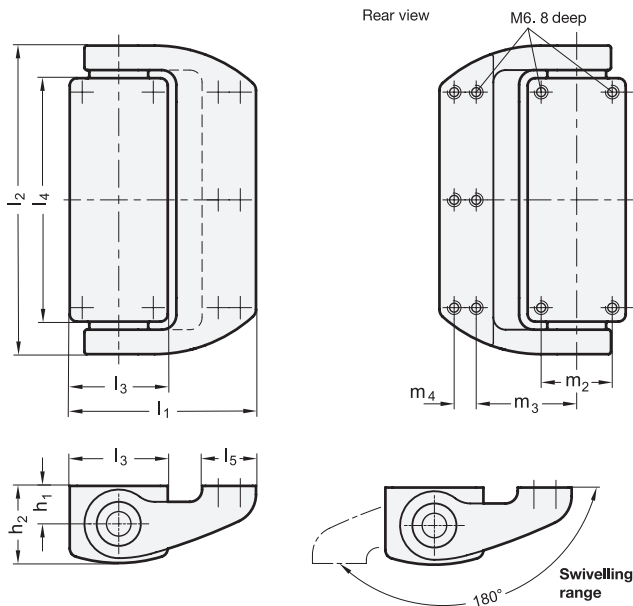
Pin
Stainless Steel AISI 316L

INFORMATION

With the exception of the connector plug, the hinge without safety switch GN 139.6 do not differ in their external appearance from hinges with safety switch GN 139.5 (see page 1445). With the concealed screw connection at the back, the hinge is also tamper-proof. The compact design combines safety and attractive appearance. The design with broad hinge halves is intended for mounting to glass or polycarbonate doors.

TECHNICAL INFORMATION

- Stainless Steel characteristics (see page A26)
- Load rating information of hinges (see page A40)
- Mechanical features of Hinges GN 139.5 (see page 1446)



GN 139.6

STAINLESS STEEL

Description	l1	l2	l3	l4	l5	h1	h2	m1	m2	m3	m4	⚖️
GN 139.6-76-126	76	126	40	99.4	22	15.5	31.5	88	29	41	9	909

